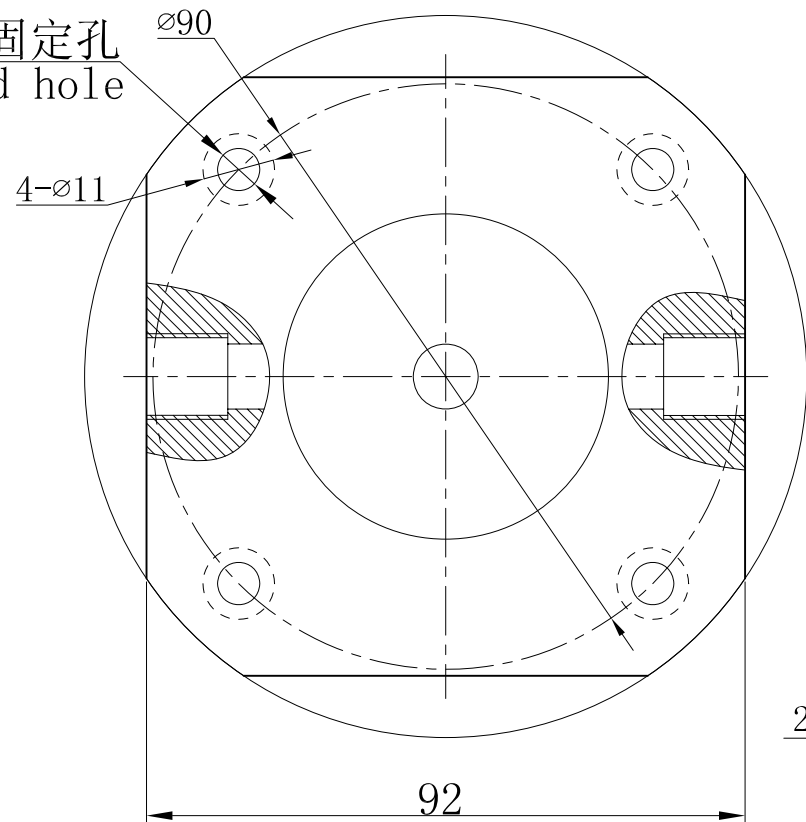
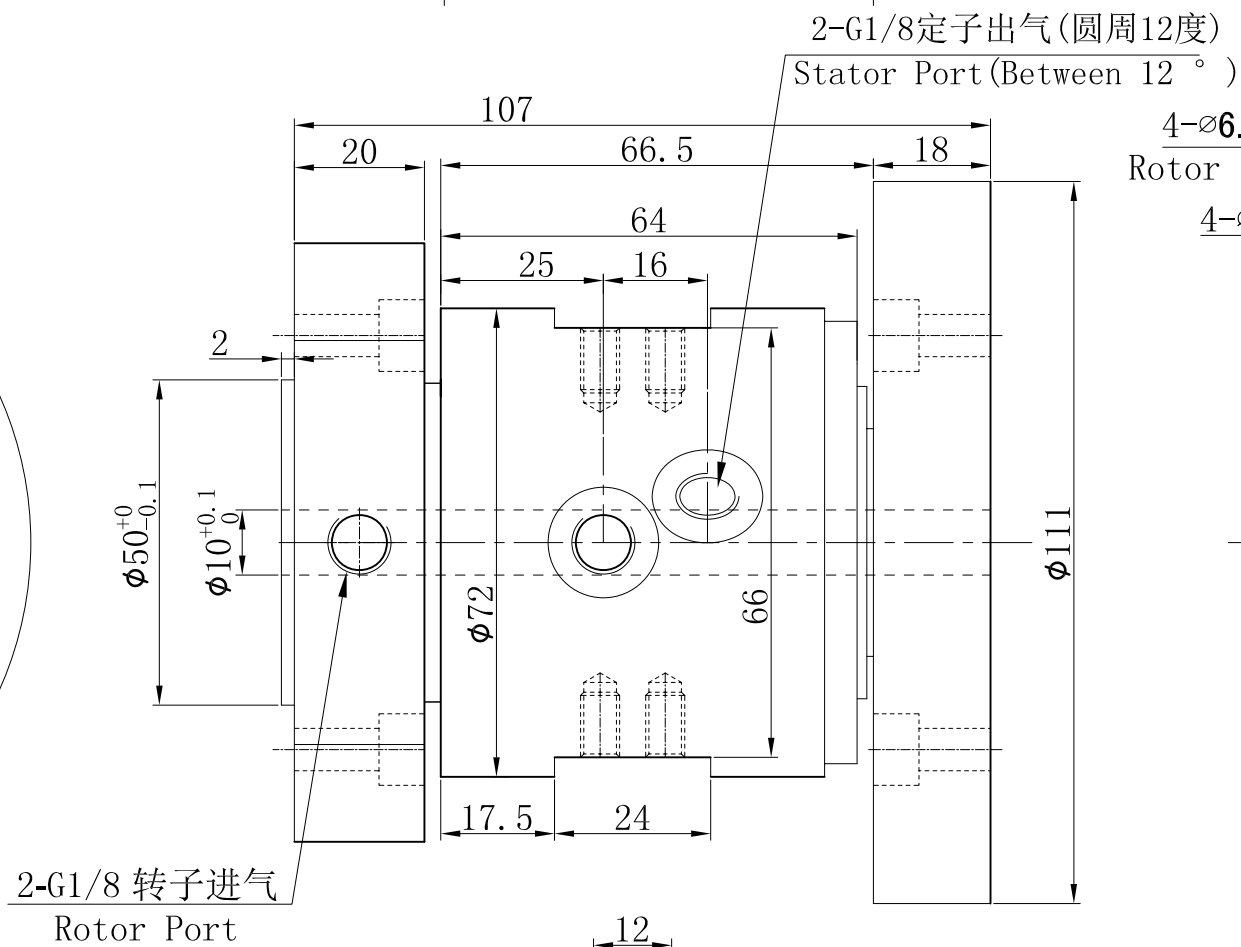


4- $\phi 6.5$ 转子固定孔
Rotor fixed hole



转子边 | 定子边 | 转子边
Rotor side | Stator side | Rotor side



4- $\phi 6.5$ 转子固定孔
Rotor fixed hole
4- $\phi 11$

