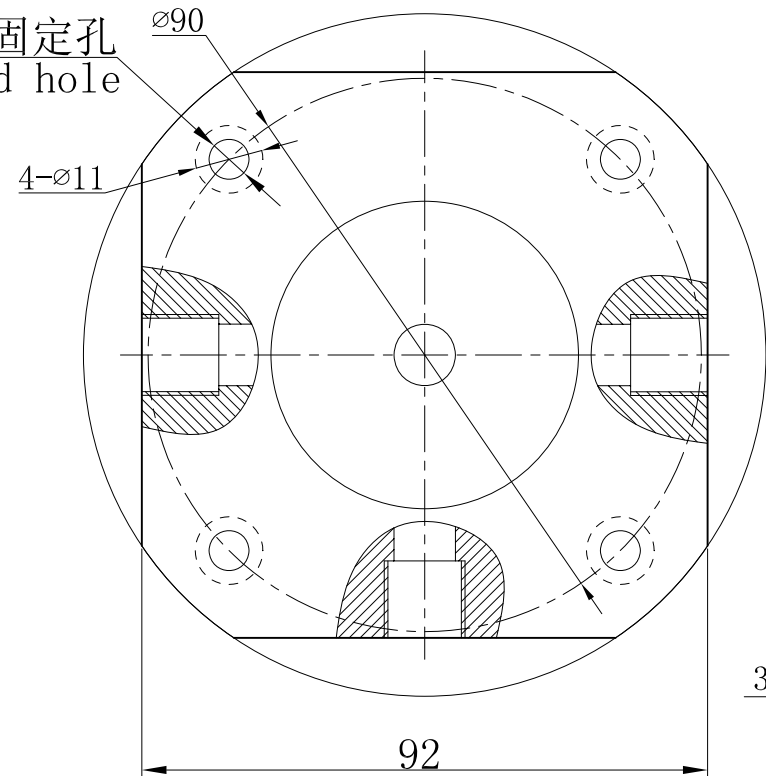


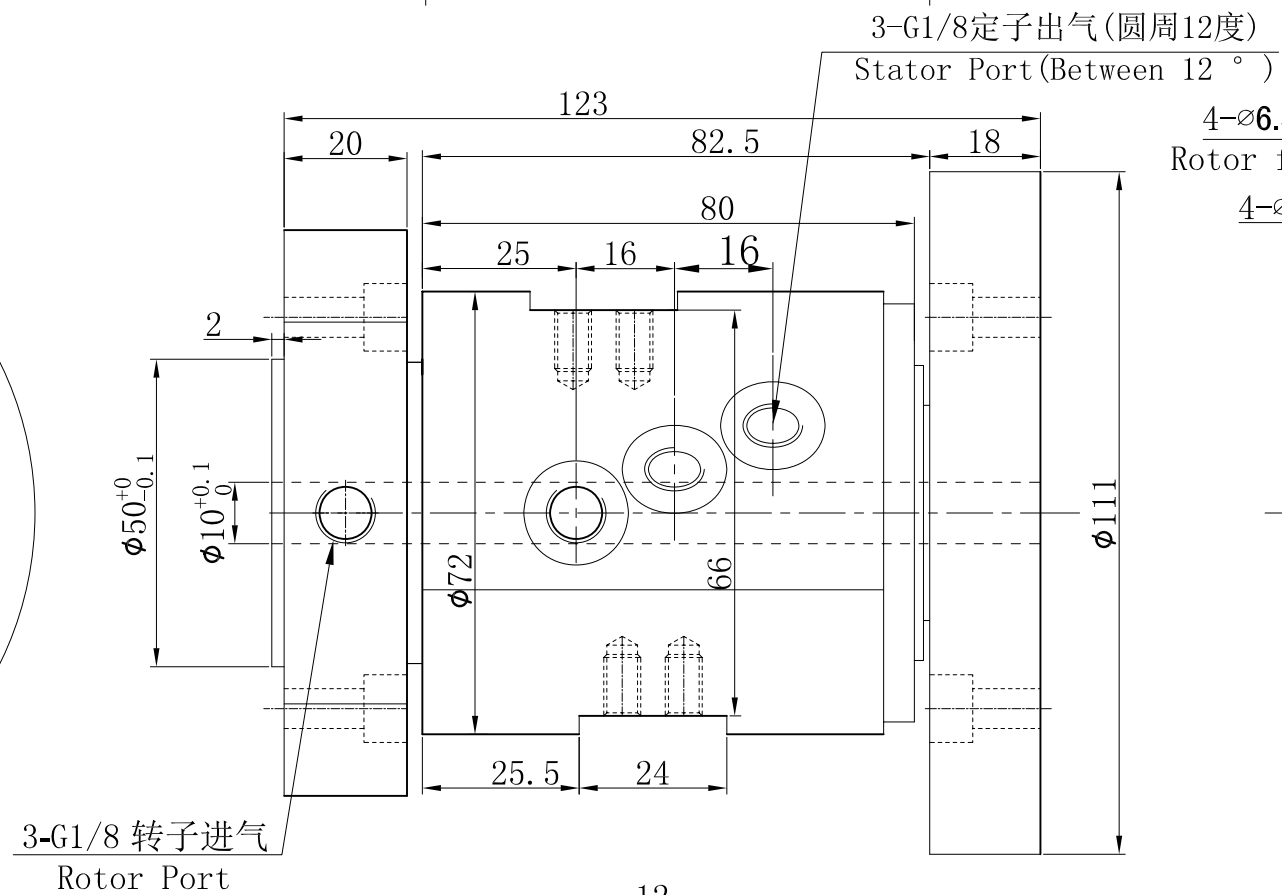
4- $\phi 6.5$ 转子固定孔
Rotor fixed hole



转子边
Rotor side

定子边
Stator side

转子边
Rotor side

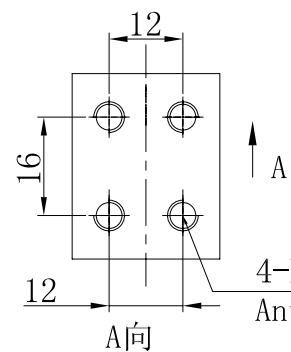
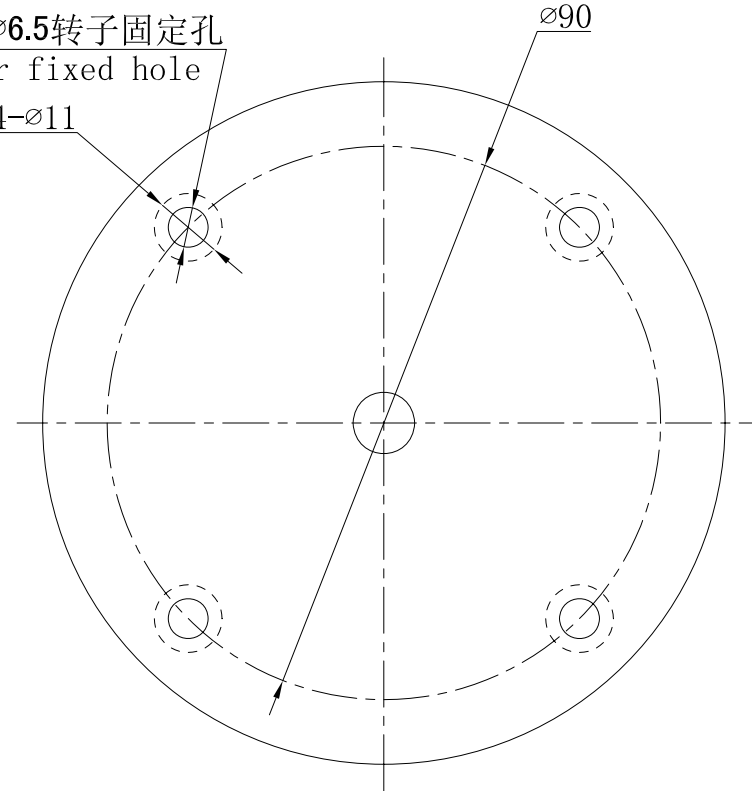


3-G1/8定子出气(圆周12度)
Stator Port (Between 12°)

4- $\phi 6.5$ 转子固定孔
Rotor fixed hole

4- $\phi 11$

$\phi 90$



4-M5 (180°) 定子安装孔
Anti-Rotation hole